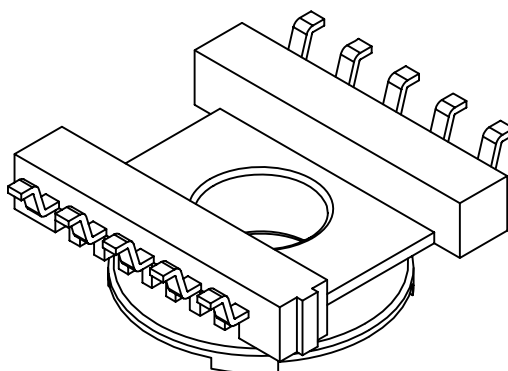
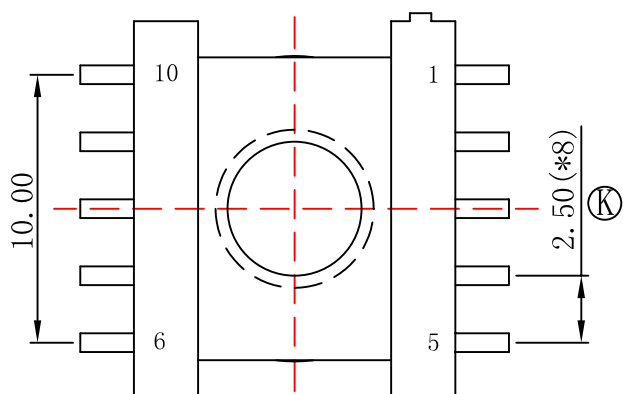
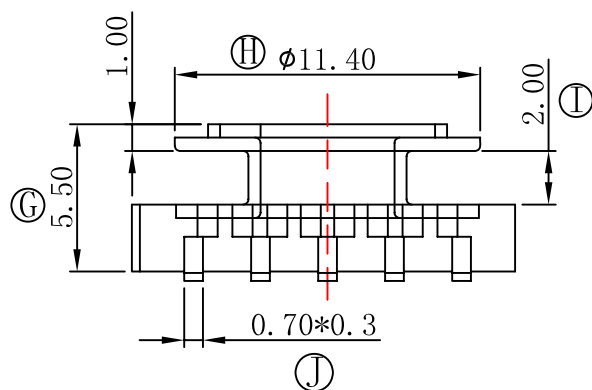
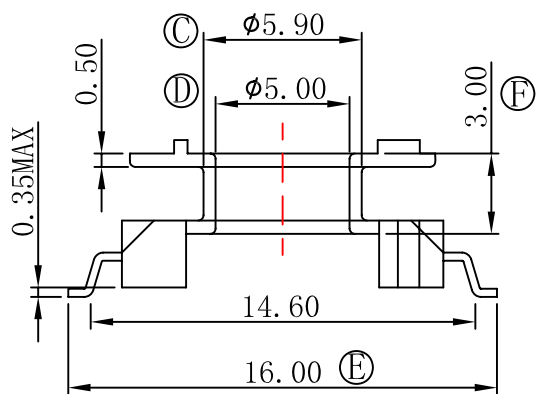
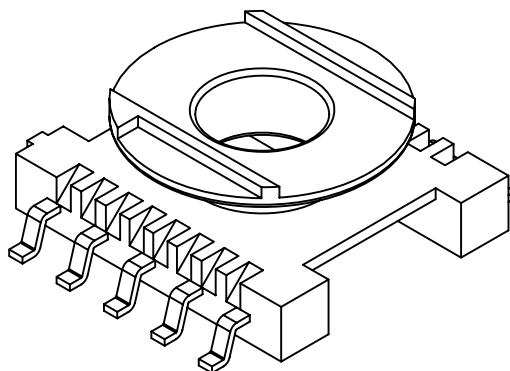
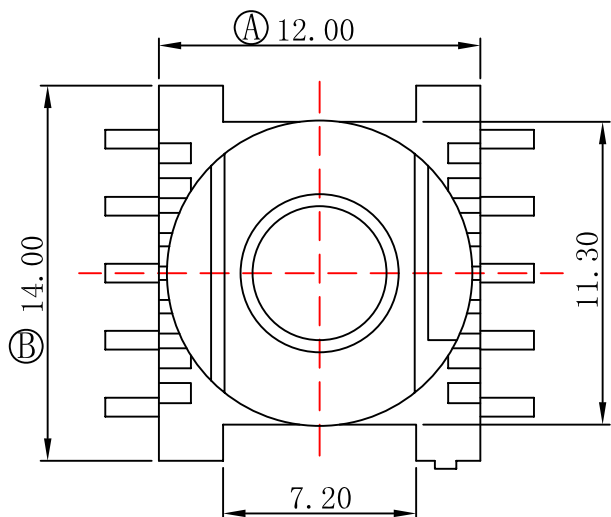


型号

ER-14.5S



REV	DATE	REVISIONS	REC

深圳市捷达成电子有限公司

SHENZHEN JIE DA CHENG ELECTRONICS CO.,LTD.  
TEL:0755-27317730 FAX:0755-27317731

ANGLE:  
+/-1°

MODEL NAME:  
ER-14.5S 5+5PIN SMD

UNIT:  
MM

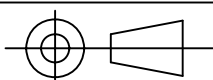
UL REC:  
UL 94V-0

BOBBIN MATERIAL:  
LCP-E4008

SCALE:  
4/1

PIN TENSION LOAD:  
1.0KG MIN

PIN MATERIAL:  
PHOSPHOR BRONZE



DATE:  
2006-07-05

DRAWING NO:  
ER-11.5S

REV:  
1.0

DRAFTER L.R.J

TOLERANCE

0<L<4 ±0.1  
4<L<16 ±0.2  
16<L<50 ±0.3  
PIN PITCH ±0.2

CHECKER Y.F.