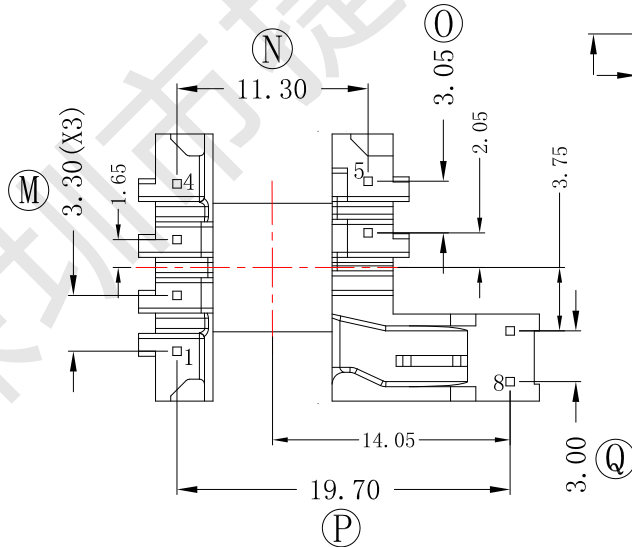
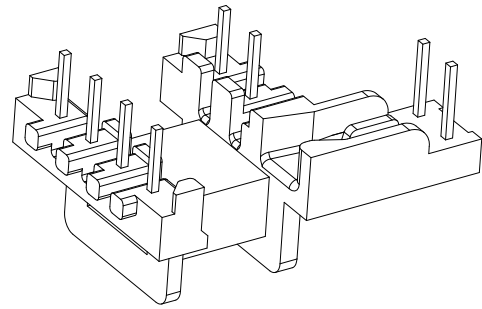
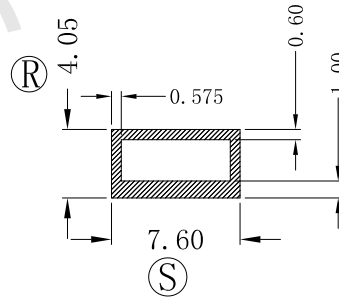
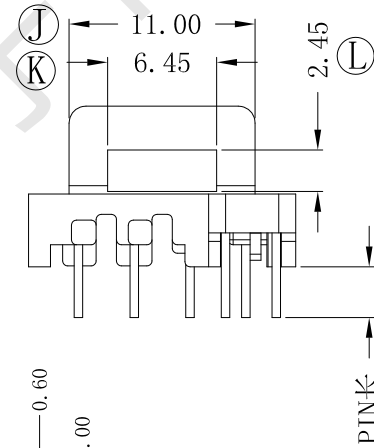
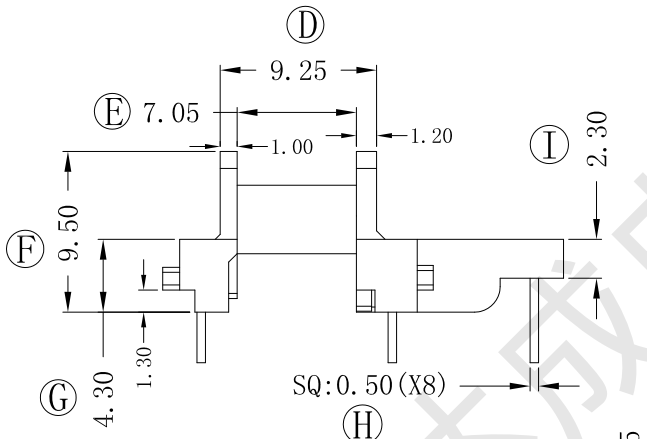
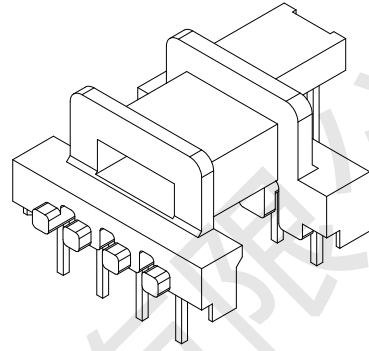
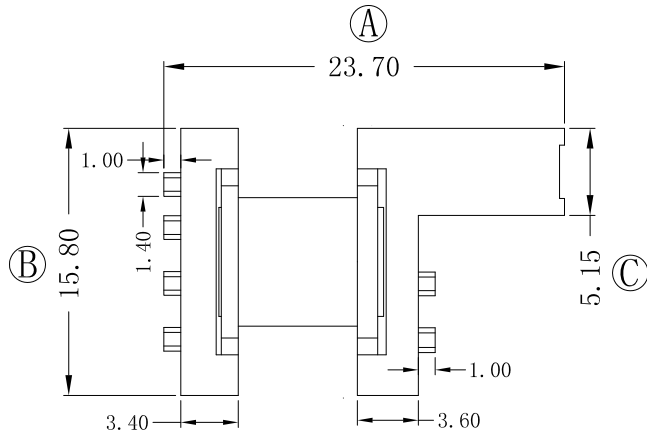


型号

EM-1509



REV	DATE	REVISIONS REC

深圳市捷达成电子有限公司

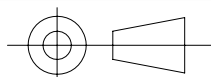
SHANZHEN JIEDACHENG ELECTRONICS CO.,LTD.

TEL:0755-27317730 FAX:0755-27317731

ANGLE:  
+/-1°

UNIT:  
MM

SCALE:  
4/1



MODEL NAME:  
EE-1509 4+2+2PIN

UL REC:  
UL 94V-0

PIN TENSION LOAD:  
1.0KG MIN

DATE:  
2022-01-07

BOBBIN MATERIAL:  
PHENOLIC

PIN MATERIAL:  
CP WIRE

DRAWING NO:  
EM-15

REV:  
1.0

DRAFTER

L.R.J

TOLERANCE

0<L<4 ±0.1

4<L<16 ±0.2

16<L<50 ±0.3

PIN PITCH ±0.2

CHECKER

Y.F.