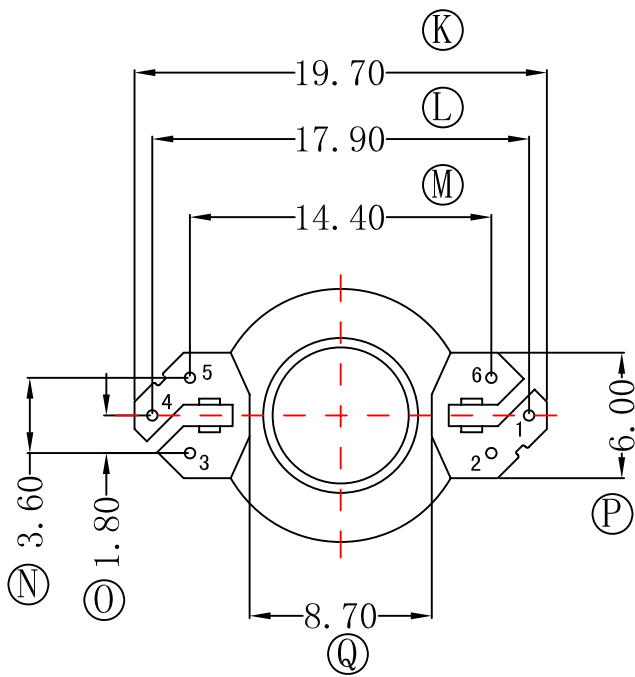
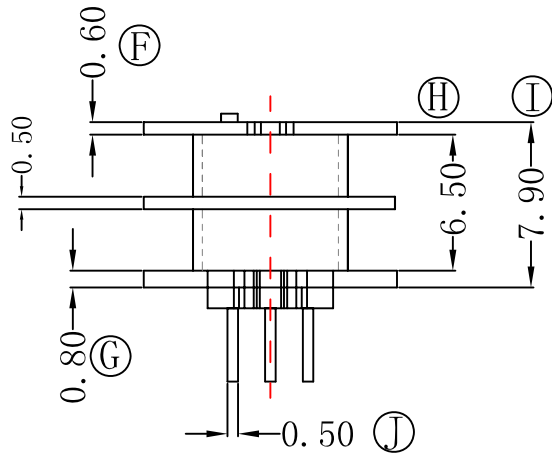
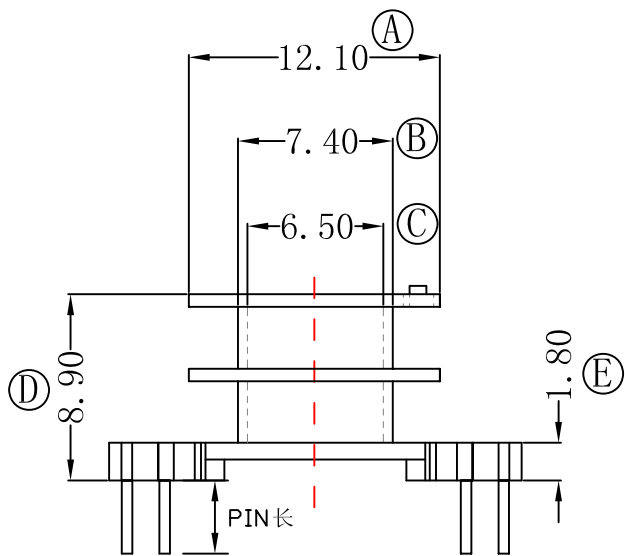
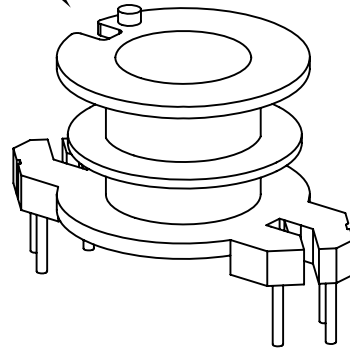


型号

RM-6-1



PIN1对应顶部缺口



| REV | DATE | REVISIONS REC |
|-----|----------|-----------------|
| 1 | 12-9-10 | K尺寸由20.1变更为19.7 |
| 2 | 12-9-10 | P尺寸由5.5变更为6.0 |
| 3 | 12-9-10 | 增加Q尺寸, 变更PIN座形状 |
| 4 | 12-11-13 | PIN座侧面加两个过线槽 |

深圳市捷达成电子有限公司

SHENZHEN JIE DA CHENG ELECTRONICS CO.,LTD.
TEL:0755-27317730 FAX:0755-27317731

ANGLE:
+/-1°

MODEL NAME:
RM-6-1 3+3PIN

UNIT:
MM

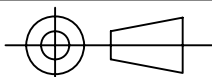
UL REC:
UL 94V-0

BOBBIN MATERIAL:
PM-9820

SCALE:
4/1

PIN TENSION LOAD:
0.6KG MIN

PIN MATERIAL:
CP WIRE



DATE:
2012-11-13

DRAWING NO:
RM-6-1

REV:
1.0

DRAFTER

L.R.J

TOLERANCE

0<L<4 ±0.1
4<L<16 ±0.2
16<L<50 ±0.3
PIN PITCH ±0.2

CHECKER

Y.F.