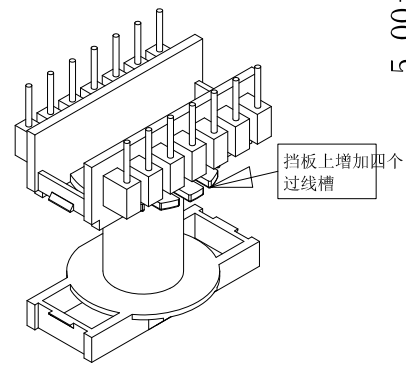
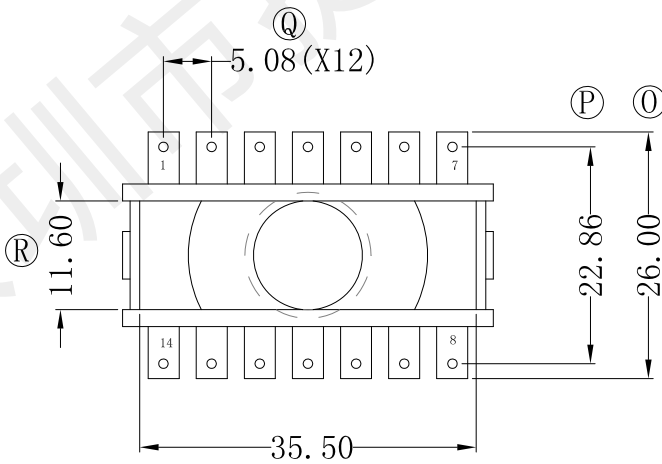
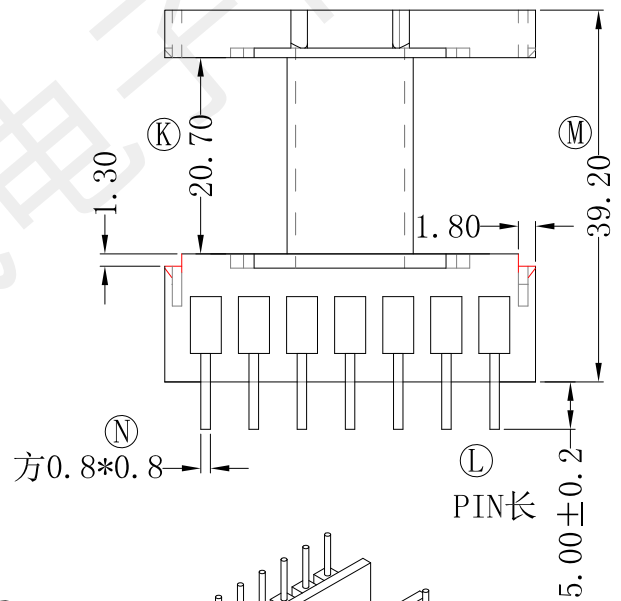
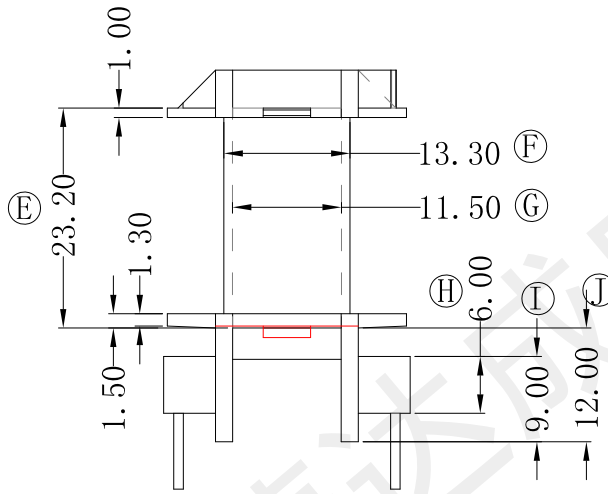
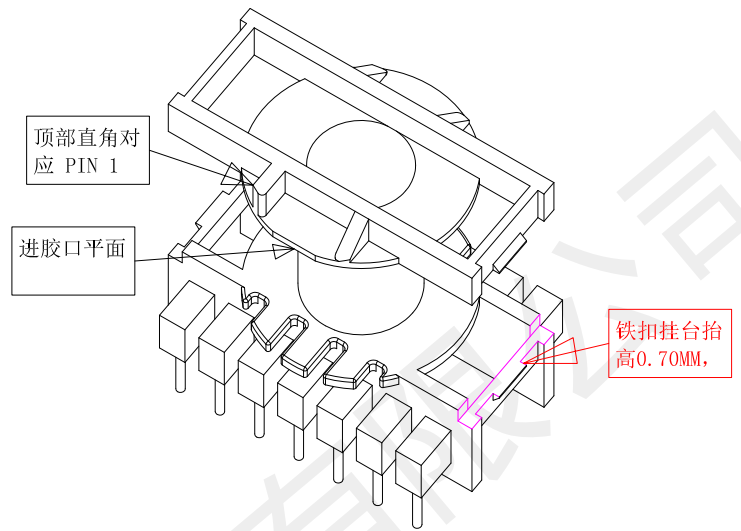
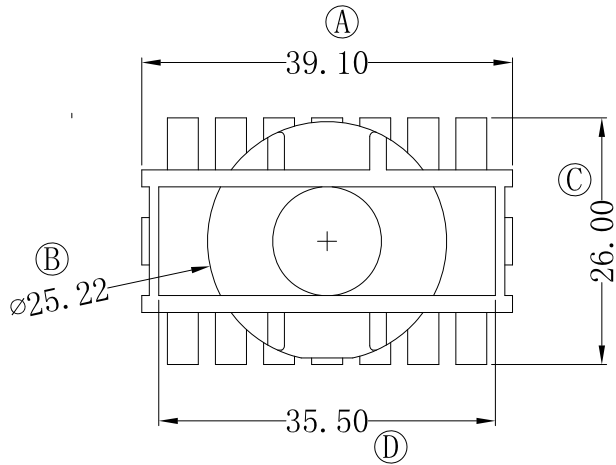


型号

ETD-3406



REV	DATE	REVISIONS REC
1	2021-6-2	PIN座面磁芯挂台2.0改为1.3

深圳市捷达成电子有限公司

SHANZHEN JIEDACHENG ELECTRONICS CO., LTD.
TEL:0755-27317730 FAX:0755-27317731

ANGLE:
+/-1°

MODEL NAME:
ETD-3406 7+7PIN

UNIT:
MM

UL REC:
UL 94V-0

BOBBIN MATERIAL:
PHENOLIC

DRAFTER L.R.J

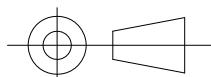
TOLERANCE
0<L<4 ±0.1
4<L<16 ±0.2
16<L<50 ±0.3
PIN PITCH ±0.2

SCALE:
4/1

PIN TENSION LOAD:
1.5KG MIN

PIN MATERIAL:
CP WIRE

CHECKER Y.F.



DATE:
2019-01-14

DRAWING NO:
ETD-34

REV:
1.1